

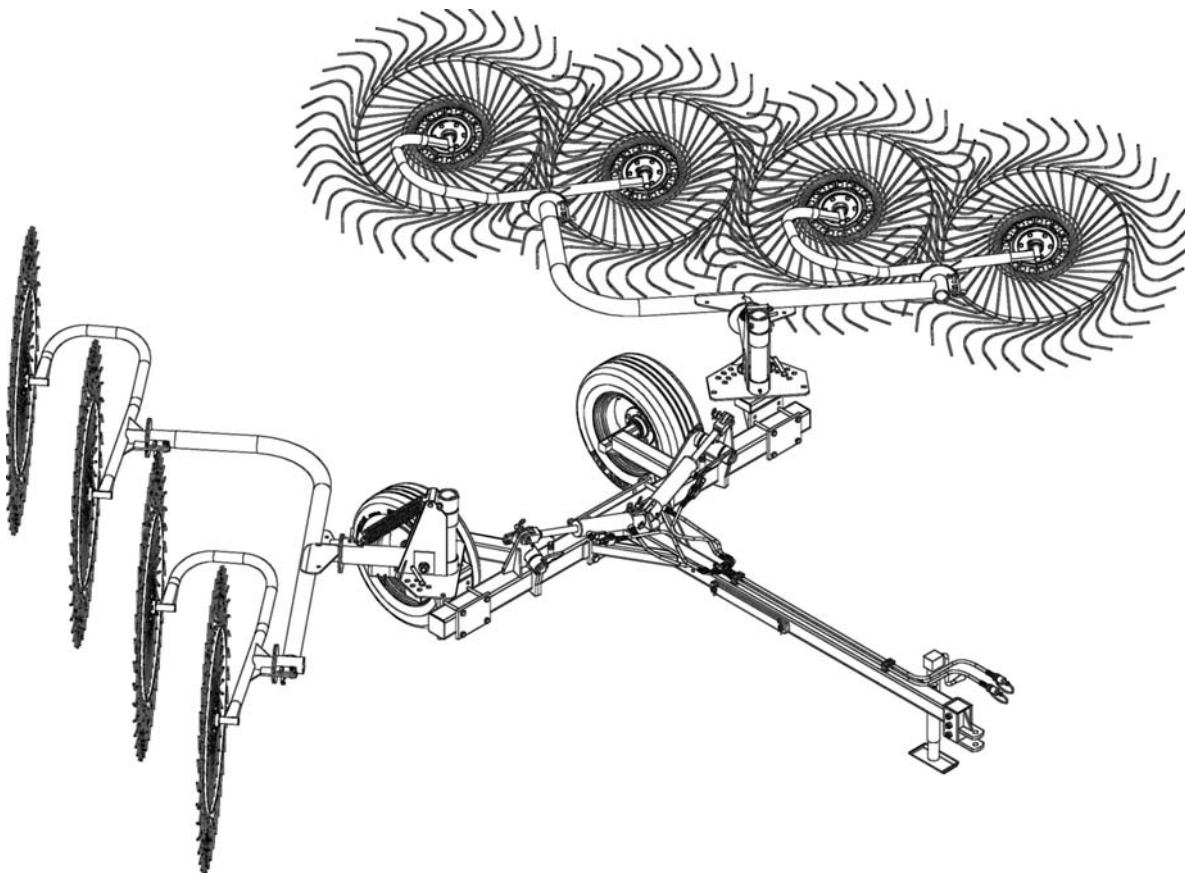
# **BEFCO®**

## **Parts Manual**

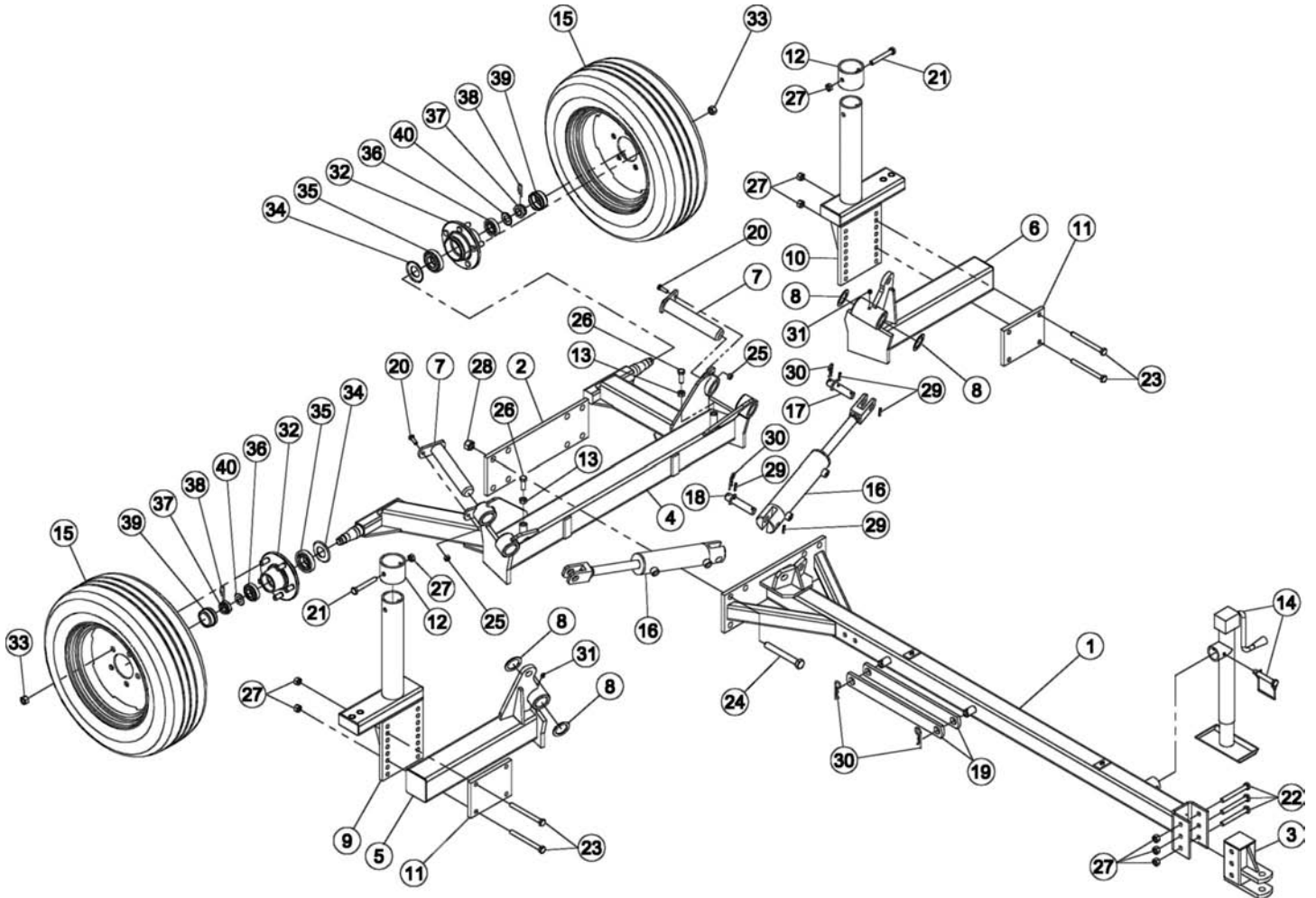
### **HAY EQUIPMENT**

**“V” Rakes**

**HRC-08V, HRC-10V, HRC-12V**

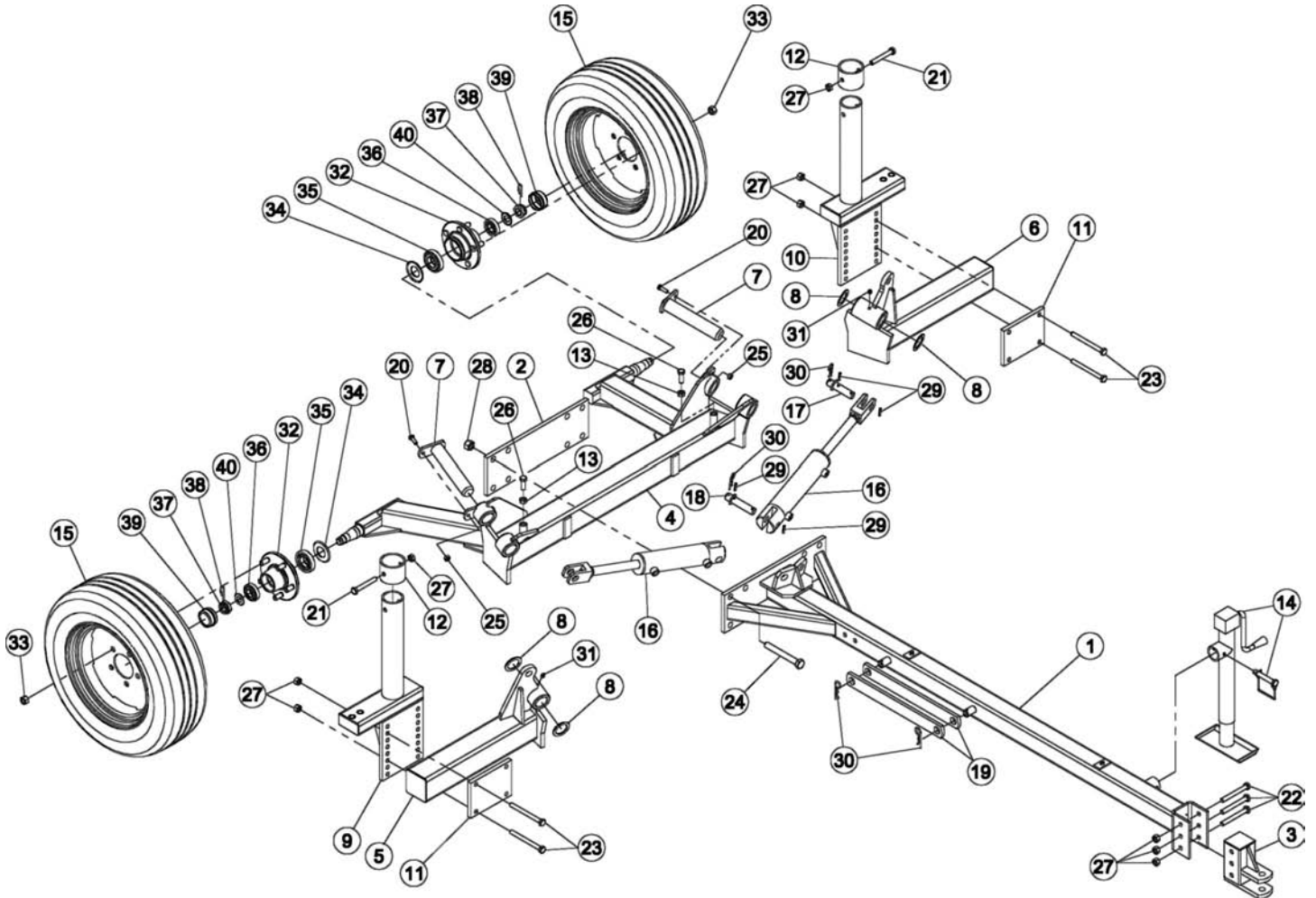


**Manual 961-393B  
November 2016**

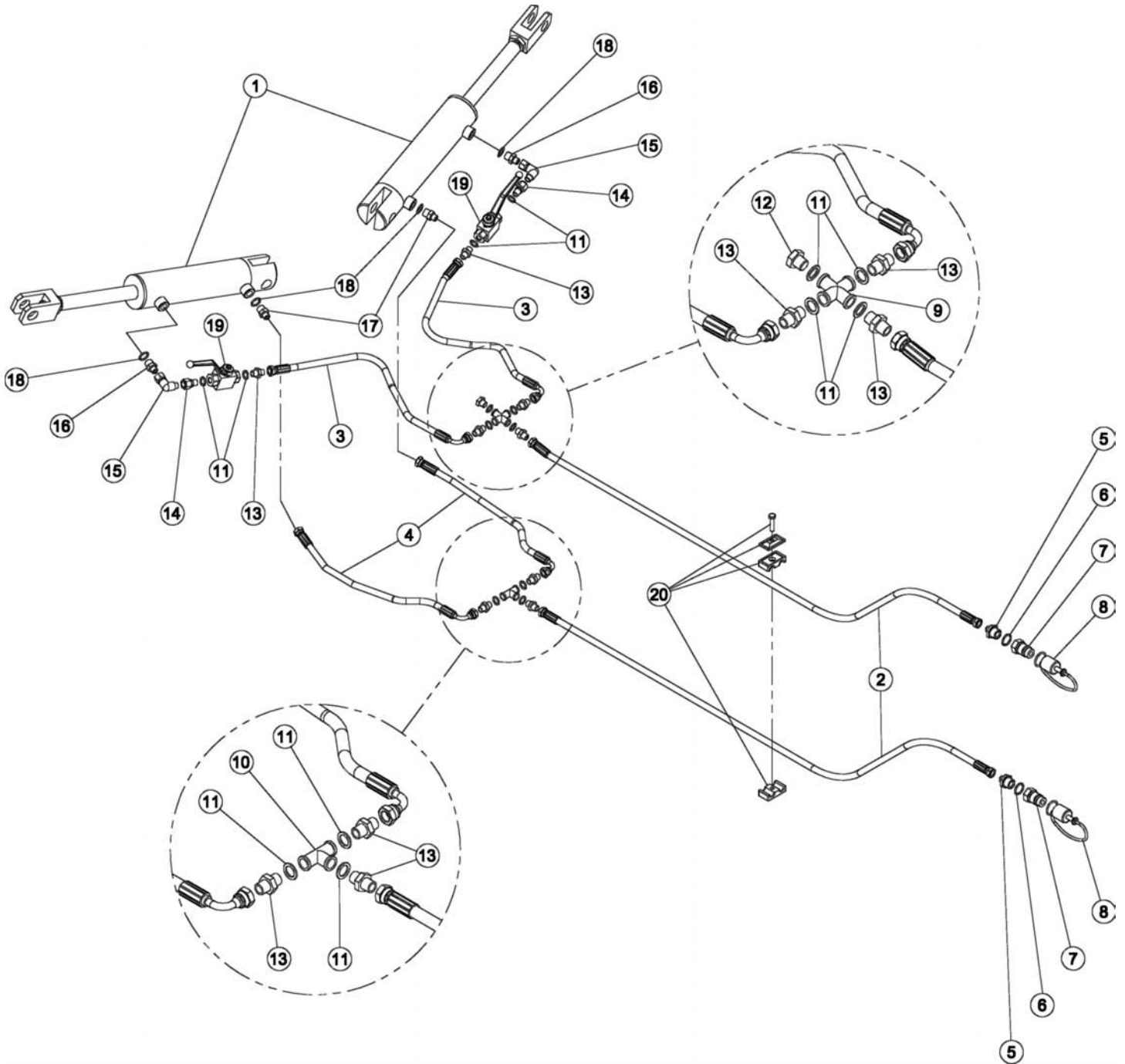


Ref.	Part #	Description	Qty.
1	003-5500	Drawbar, complete	1
2	003-5502	Hitch plate, drawbar	1
3	005-8031	Front hitch	1
4	003-5531	Main frame, rake cart; #308453 & below	1
	013-5531	Main frame, rake cart; #308454 & above	1
5	013-5560	Side arm, right	1
6	023-5560	Side arm, left	1
7	003-5580	Hinge pin	2
8	003-5585	Axial rotating ring 45x65x1	4
9	013-5590	Support, frame holder hitch right	1
10	023-5590	Support, frame holder hitch left	1
11	003-5600	Backing plate, holder hitch support	2
12	003-5605	Collar, holder hitch support	2
13	000-1177	Nut HH M14-2.00 C6 Z MD	2
14	502-098B	Jack stand	1
15	003-5620	Wheel w/air tire complete; #308453 & below	2
	003-5550	Wheel w/air tire complete; #308454 & above	2
16	003-5630	Hydraulic cylinder; #320030 & below <sup>1</sup>	2
	003-5680	Hydraulic cylinder; #320031 & above	2
17	003-5635	Pin, hydraulic cylinder; #320030 & below	2
	003-5640	Pin, hydraulic cylinder; #320031 & above	2
18	003-5640	Pin, hydraulic cylinder	2
19	003-5645	Safety locking plate	2
20	000-1278	Bolt HH M10-1.50x30 C8.8 Z F	2
21	009-0226	Bolt HH M14-2.00x110 C8.8 Z P	2
22	003-7368	Bolt HH M14-2.00x120 C8.8 Z P	3
23	000-6619	Bolt HH M14-2.00x150 C8.8 Z P	8
24	503-300B	Bolt HH M20-2.50x160 C8.8 Z P	4
25	003-0156	Nut PT M10-1.50 C6 Z TK	2
26	007-4232	Bolt HH M14-2.00x40 C8.8 Z F; #308454 & above	2
27	000-7224	Nut ES M14-2.00 Z TK	13
28	000-5507	Nut PT M20-2.50 C6 Z TK	4
29	002-7294	Roll pin Ø6x40 Z	8
30	009-1507	Hairpin cotter Ø4 Z	6
31	000-1065	Grease fitting M10-1.00	2
32	003-5551	Hub, wheel; #308453 & below	2
	502-422B	Hub, wheel; #308454 & above	2
33	003-5552	Nut lug M16-1.50 Z; #308453 & below	10
	503-956B	Nut lug 1/2"-20x60° Z; #308454 & above	10
34	003-5553	Dust seal ring; #308453 & below	2
	502-097B	Oil seal 12192TB; #308454 & above	2
35	003-0201A	Bearing 30208; #308453 & below	2
	502-102B	Bearing L44610, L44649; #308454 & above	2
36	005-8472A	Bearing 30206; #308453 & below	2
	502-102B	Bearing L44610, L44649; #308454 & above	2

<sup>1</sup> Interchangeable with cylinder 003-5680 provided (qty 1) pin 003-5640 is also ordered.

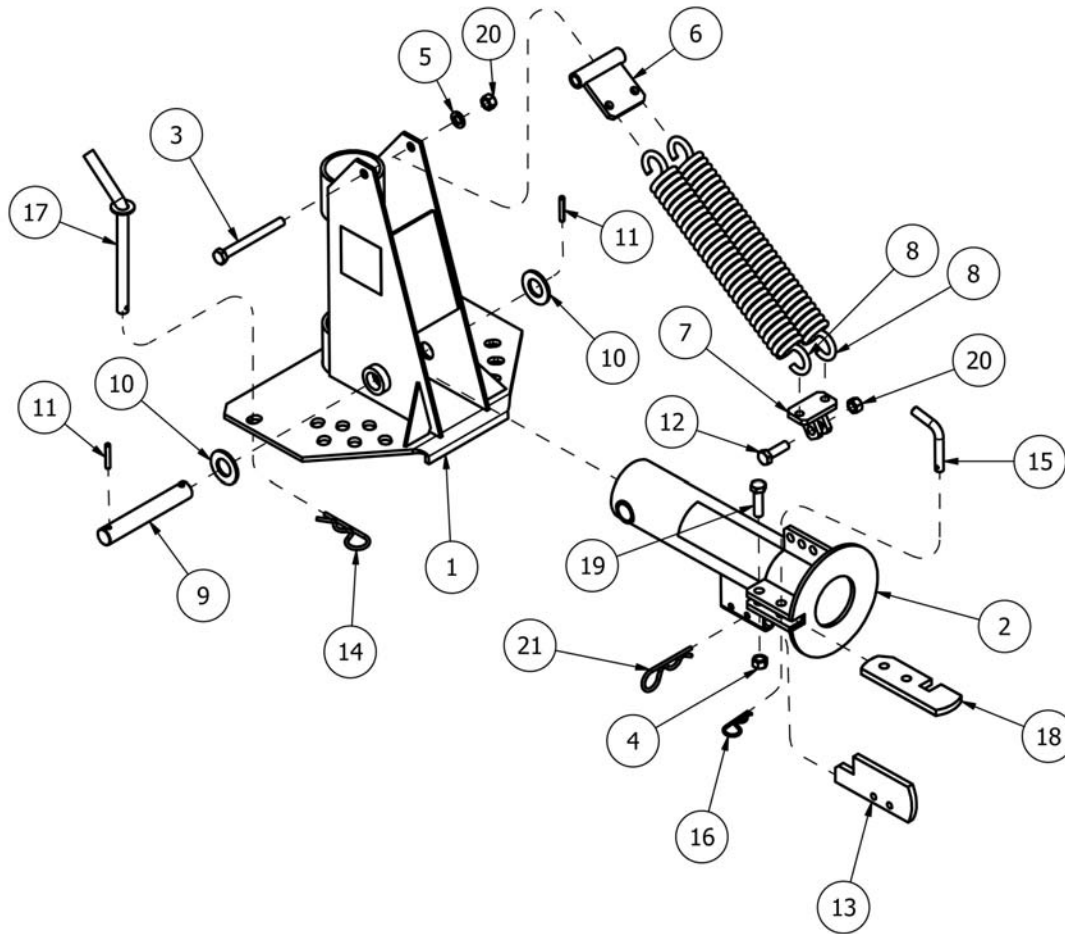


Ref.	Part #	Description	Qty.
37	003-5556	Nut CA M27-1.50 C5 Z TN; #308453 & below	2
	000-9768	Nut CA M20-2.50 C5 N TN; #308454 & above	2
38	011-2087	Cotter pin Ø4x50 Z; #308453 & below	2
	004-4156	Cotter pin Ø4x25 Z; #308454 & above	2
39	008-2530	Hub cap; #308453 & below	2
	502-101B	Hub cap; #308454 & above	2
40	004-6555	Washer flat Ø20 Z; #308454 & above	2



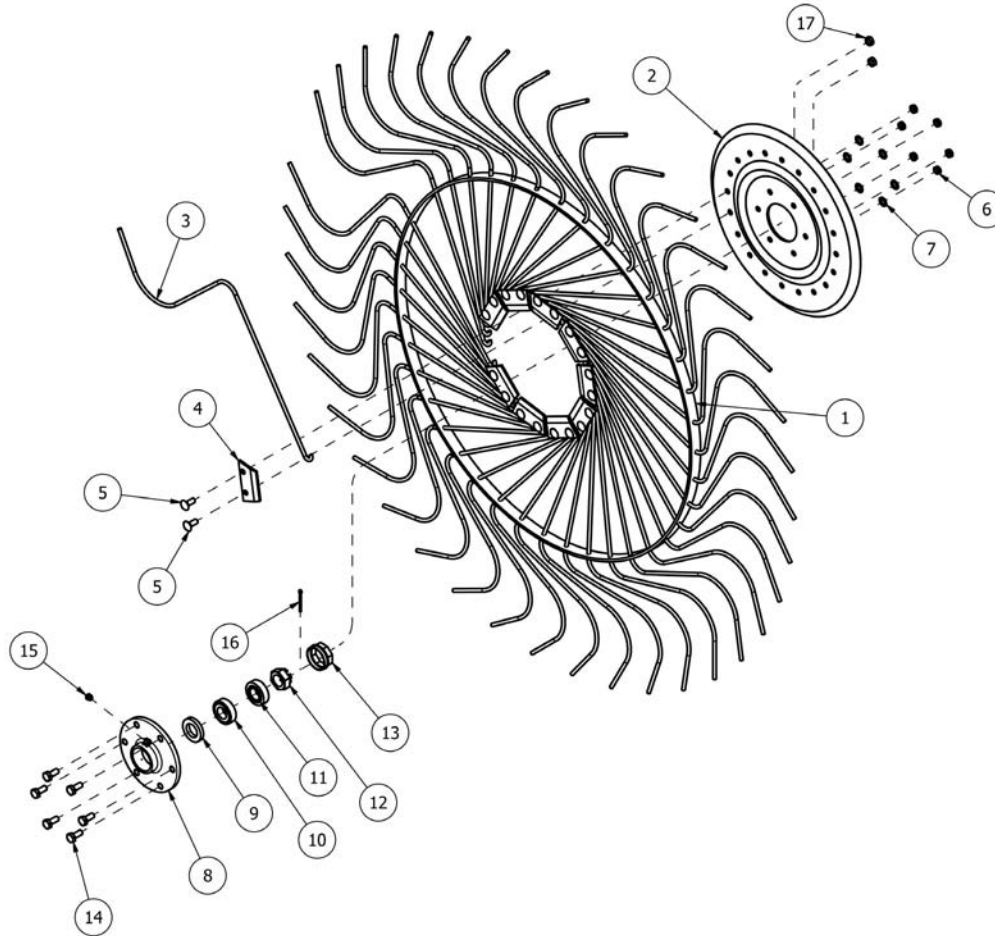
Ref.	Part #	Description	Qty.
1	003-5630	Hydraulic cylinder; #320030 & below <sup>2</sup>	2
	003-5680	Hydraulic cylinder; #320031 & above	2
2	003-5650	Hydraulic hose 1/4"x2550 mm.	2
3	003-5652	Hydraulic hose 1/4"x650 mm. w/90 degree fitting	2
4	003-5654	Hydraulic hose 1/4"x550 mm. w/90 degree fitting	2
5	008-2488	Adaptor STR 1/4" MBSPPx1/2" MBSPP	2
6	003-6532	Washer copper sealing 1/2"	2
7	004-1871	1/2" Male quick coupler 1/2" FBSPP	2
8	006-3396	Rubber cap	2
9	003-5660	Hydraulic cross 1/4" FBSPP	1
10	003-5662	Hydraulic tee 1/4" FBSPP	1
11	005-2438	Washer copper sealing 1/4"	11
12	003-5665	Plug 1/4" MBSPP	1
13	008-2484	Adaptor STR 1/4" MBSPPx1/4" MBSPP	8
14	003-5667	Adaptor STR 1/4" FBSPPx1/4" MBSPP	2
15	003-5668	Elbow 90° 1/4" MBSPPx1/4" FBSPP	2
16	003-5672	Adaptor STR 1/4" MBSPPx3/8" MBSPP w/1mm. restrictor	2
17	003-5670	Adaptor STR 1/4" MBSPPx3/8" MBSPP	2
18	004-1866	Washer copper sealing 3/8"	4
19	003-5676	Ball valve 1/4" FBSPPx1/4" FBSPP	2
20	003-5678	Double hydraulic hose clamp 1/4"	2

<sup>2</sup> Interchangeable with cylinder 003-5680 provided (qty 1) pin 003-5640 is also ordered.

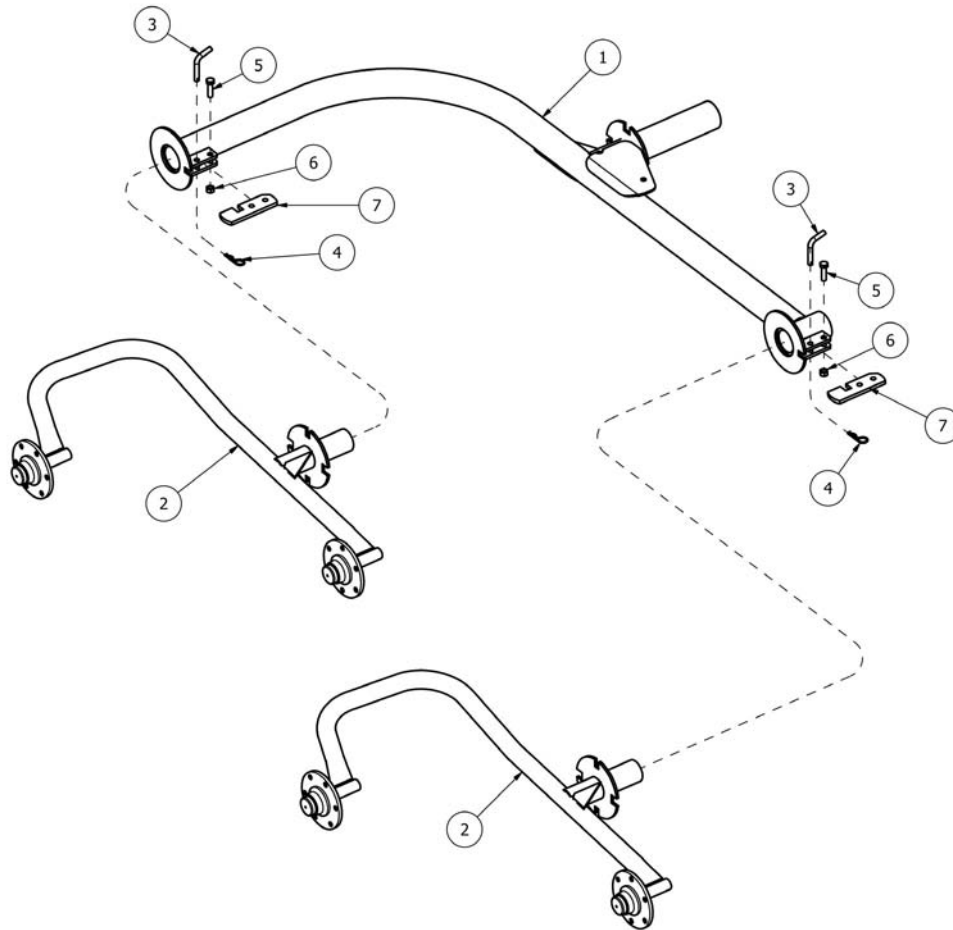


Ref.	Part #	Description	Qty.
1	502-927B	Frame holder hitch	2
2	502-940B	Pivot housing	2
3	009-1301	Bolt HH M12-1.75x120 C8.8 Z P	2
4	003-0064	Nut PT M12-1.75 C6 Z TK	2
5	000-2265	Washer, flat Ø12x24x2 Z	2
6	502-935B	Upper spring clip	2
7	502-937B	Lower spring clip	2
8	502-936B	Spring frame holder hitch	4
9	502-939B	Pin, frame holder hitch Ø25x165 Z	2
10	000-5360	Washer, flat Ø25x39x4 Z	4
11	002-7294	Roll pin Ø6x40 Z	4
12	002-3265	Bolt HH M12-1.75x40 C8.8 Z F	2
13	502-941B	Lock plate, frame holder hitch	2
14	009-1507	Hairpin cotter Ø4	2
15	502-938B	Pin, locking Ø12x56 Z	2
16	001-5240	Hairpin cotter Ø3	2
17	502-928B	Pin, locking Ø16x178 Z	2
18	503-929B	Locking lever, pivot housing	2
19	000-7716	Bolt HH M12-1.75x45 C8.8 Z F	2
20	009-4139	Nut ES M12-1.75 Z TN	4
21	004-1291	Hairpin cotter Ø5	2

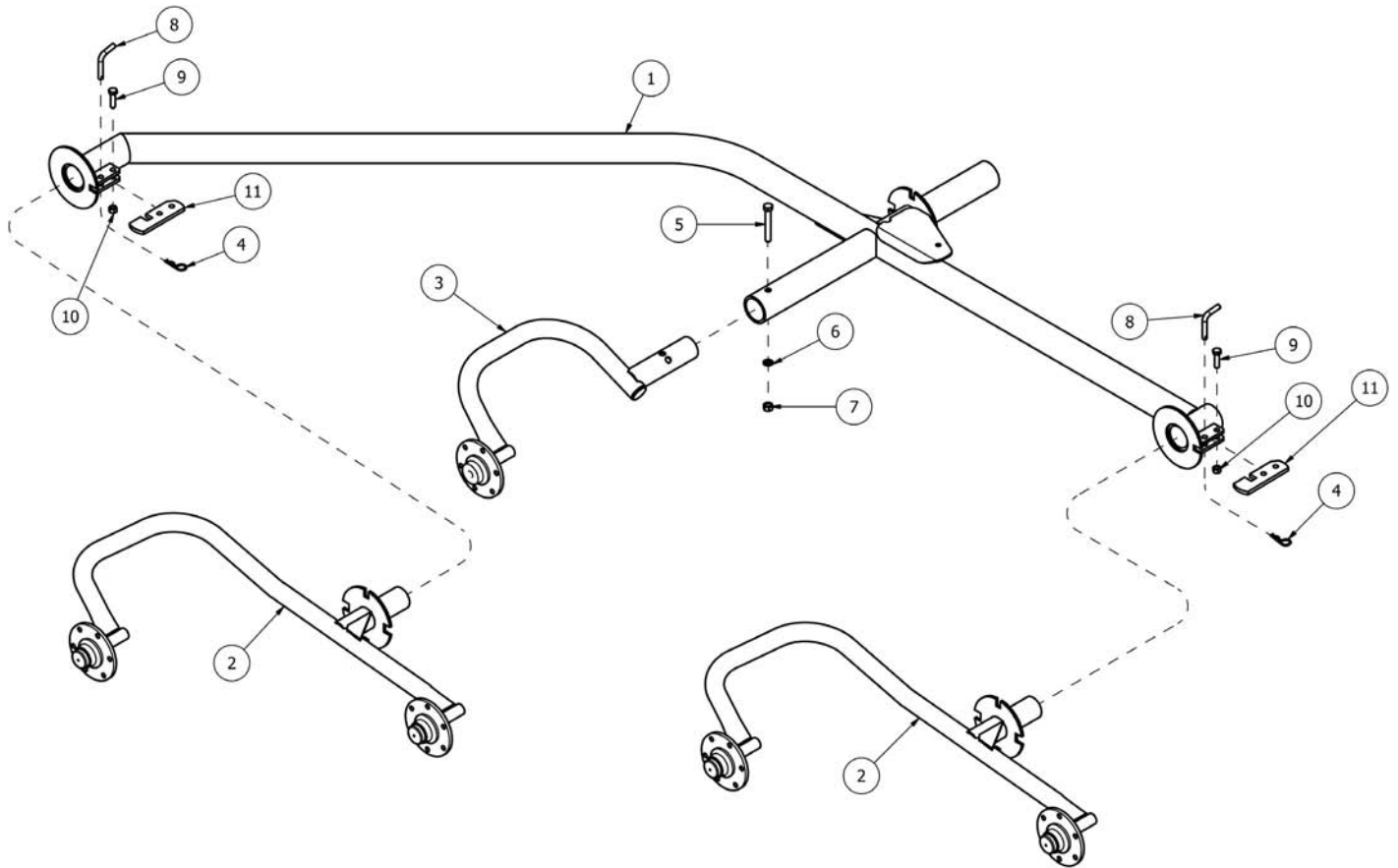




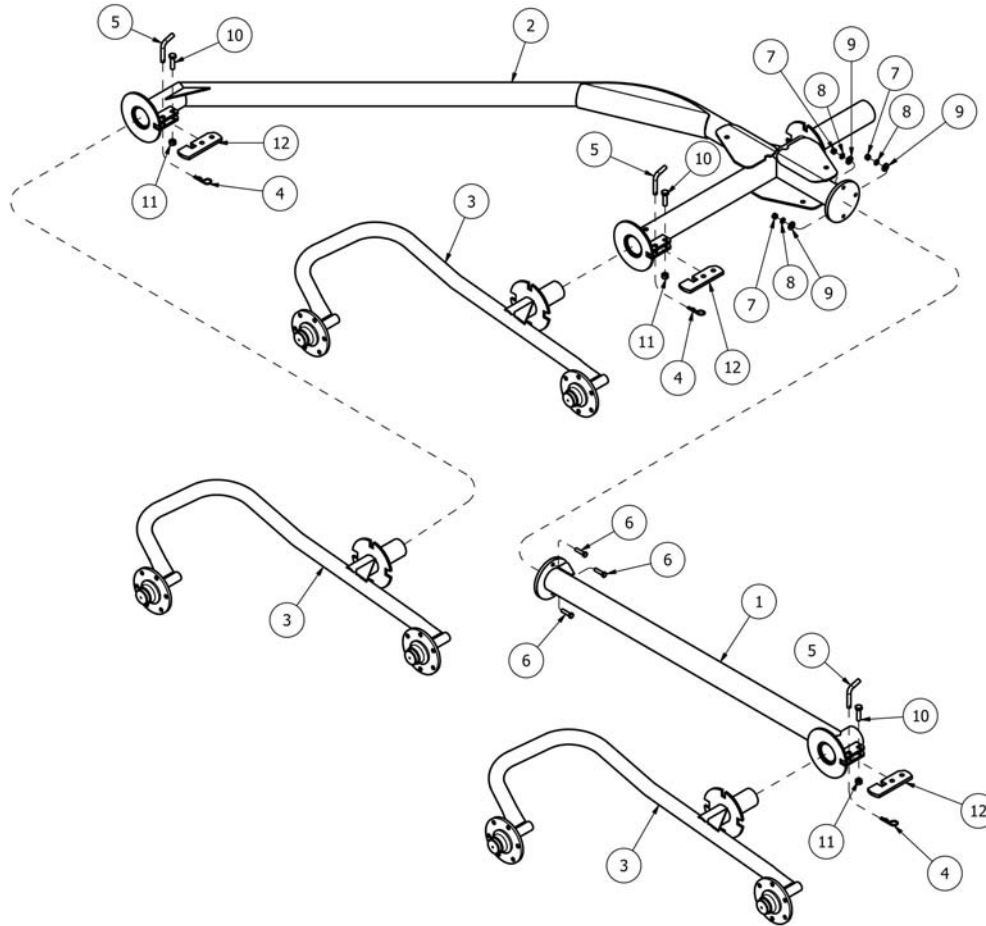
Ref.	Part #	Description	Qty.
1	502-227B	Outer wheel	1
2	502-226B	Inner wheel	1
3	502-228B	Rake tooth	40
4	502-221B	Tine clip	10
5	006-0509	Bolt CR M10-1.50x25 C8.8 Z	20
6	009-0150	Nut HH M10-1.50 C6 Z MD	6
7	003-5060	Washer ext. lock Ø10 Z	6
8	502-223B	Hub, rake wheel	1
9	502-218B	Dust seal ring	1
10	000-9771	Bearing 30205	1
11	502-224B	Bearing 30204	1
12	502-953B	Nut castle M18-1.50 N	1
13	502-225B	Dust cover	1
14	003-3176	Bolt HH M10-1.50x25 C8.8 Z F	6
15	306-002F	Grease fitting M08-1.25 STR Z	1
16	006-7217	Pin cotter Ø3x35 N	1
17	003-0156	Nut PT M10-1.50 C6 Z	20
	502-949B	Wheel complete right	-
	502-950B	Wheel complete left (not shown)	-



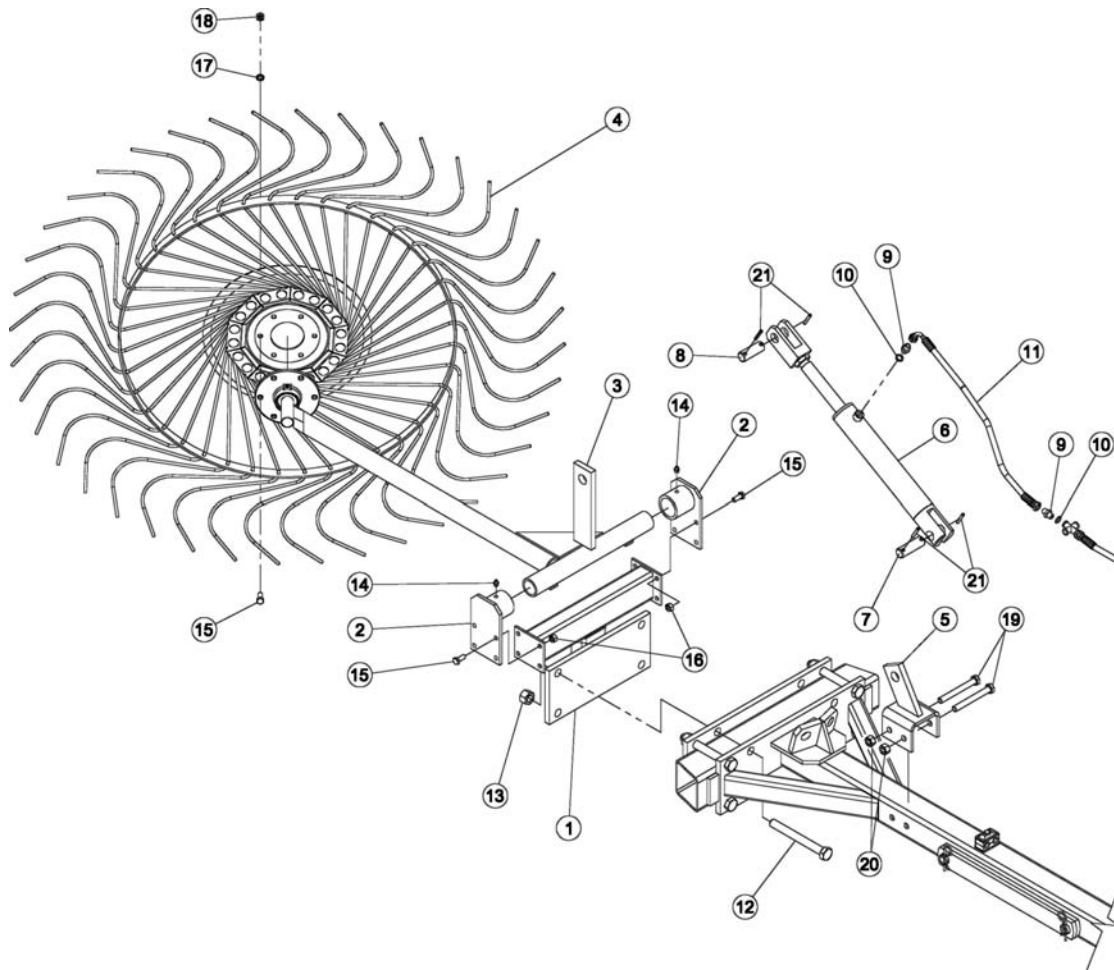
Ref.	Part #	Description	Qty.
1	502-943B	Support arm, 4 wheel; HRC-08V	2
2	502-947B	Arm w/hub right, 2 wheel	2
	502-948B	Arm w/hub left, 2 wheel	2
3	502-938B	Pin, locking Ø12x56 Z	4
4	001-5240	Hairpin cotter Ø3	4
5	000-7716	Bolt HH M12-1.75x45 C8.8 Z F	4
6	003-0064	Nut PT M12-1.75 C6 Z TK	4
7	503-929B	Locking lever, pivot housing	4



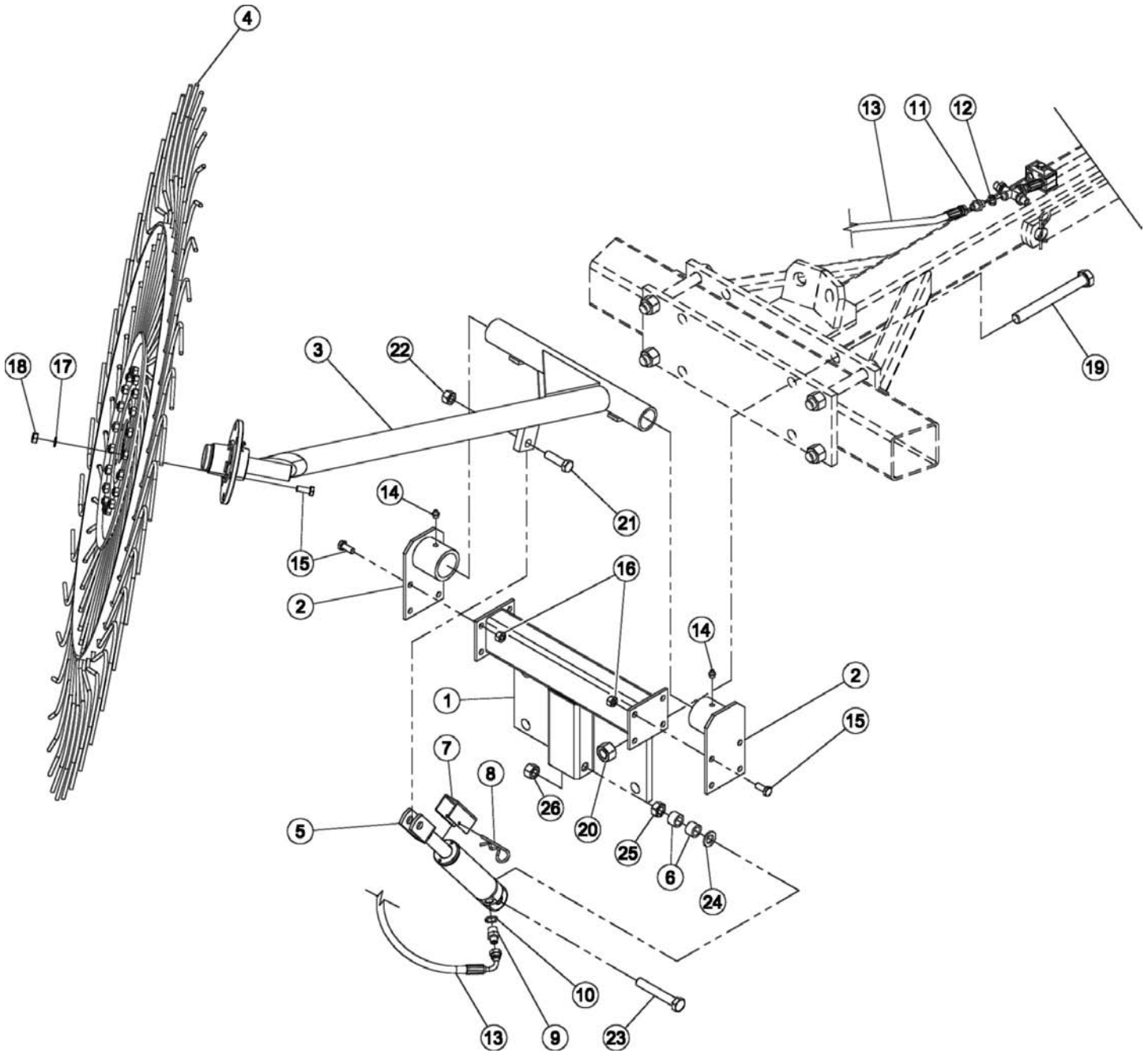
Ref.	Part #	Description	Qty.
1	502-944B	Support arm, 5 wheel; HRC-10V	2
2	502-947B	Arm w/hub right, 2 wheel	2
	502-948B	Arm w/hub left, 2 wheel	2
3	502-954B	Arm w/hub, 1 wheel	2
4	001-5240	Hairpin cotter Ø3	4
5	003-0285	Bolt HH M14-2.00x100 C8.8 Z P	2
6	000-1020	Washer, lock Ø14 Z	2
7	000-1019	Nut HH M14-2.00 C6 Z TK	2
8	502-938B	Pin, locking Ø12x56 Z	4
9	000-7716	Bolt HH M12-1.75x45 C8.8 Z F	4
10	003-0064	Nut PT M12-1.75 C6 Z TK	4
11	503-929B	Locking lever, pivot housing	4



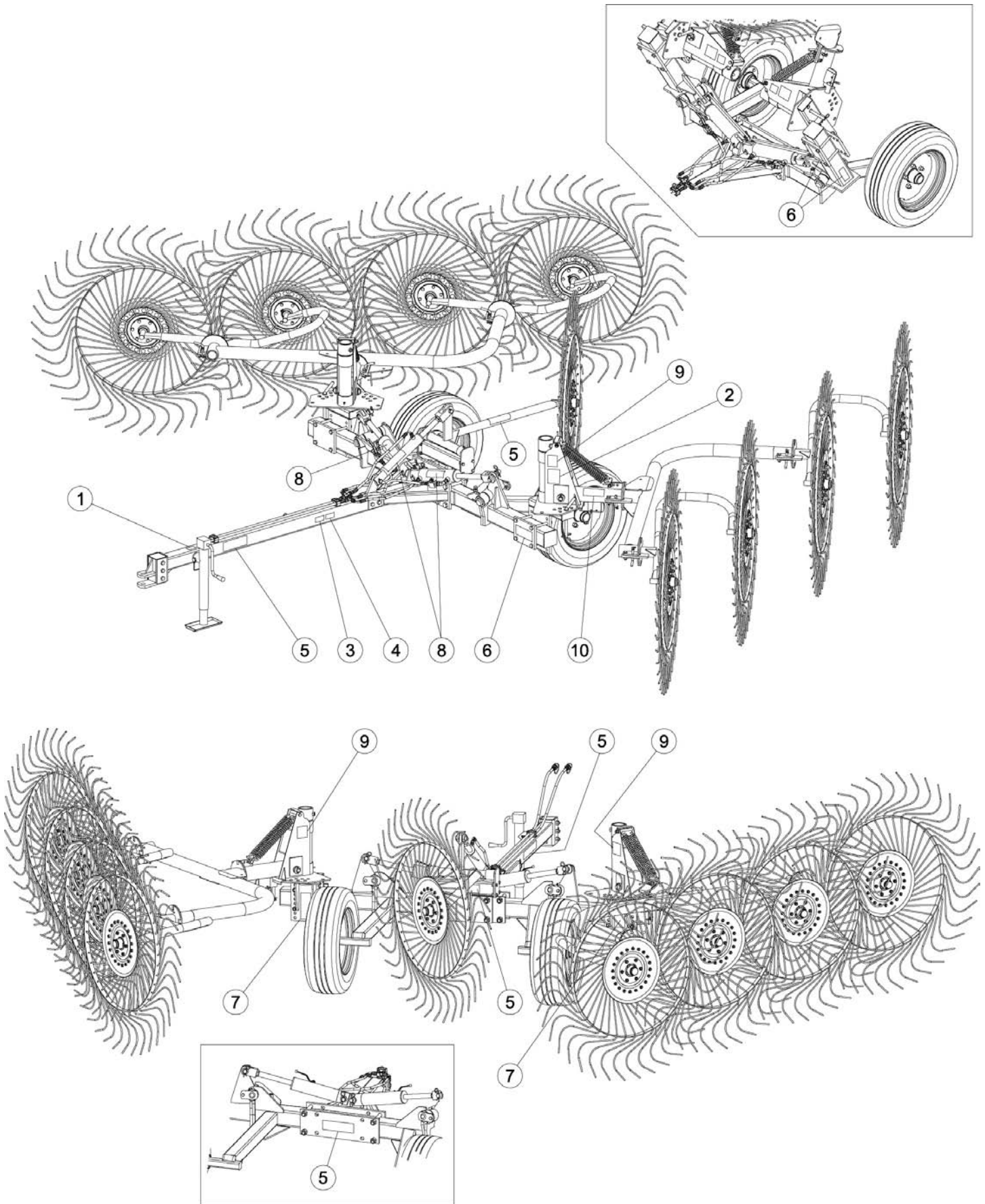
Ref.	Part #	Description	Qty.
1	18031074	Support arm, 6 wheel, front section; HRC-12V	2
2	18031075	Support arm, 6 wheel, rear section; HRC-12V	2
3	502-947B	Arm w/hub right, 2 wheel	3
	502-948B	Arm w/hub left, 2 wheel	3
4	001-5240	Hairpin cotter Ø3	6
5	502-938B	Pin, locking Ø12x56 Z	6
6	003-8614	Bolt HH M10-1.50x40 C8.8 Z F	6
7	000-1279	Nut HH M10-1.50 C6 Z TK	6
8	000-1280	Washer lock Ø10 Z	6
9	000-2034	Washer flat Ø10 Z	6
10	000-7716	Bolt HH M12-1.75x45 C8.8 Z F	6
11	003-0064	Nut PT M12-1.75 C6 Z TK	6
12	503-929B	Locking lever, pivot housing	6



Ref.	Part #	Description	Qty.
1	003-5700	Hitch, kicker wheel	1
2	003-5710	Bracket, kicker wheel	2
3	003-5720	Kicker wheel arm w/hub	1
4	502-950B	Rake wheel complete, left	1
5	003-5740	Bracket, hydraulic cylinder	1
6	003-5750	Hydraulic cylinder	1
7	003-5751	Pin, hydraulic cylinder	1
8	003-5752	Pin, hydraulic cylinder	1
9	008-2484	Adaptor STR 1/4" MBSPPx1/4" MBSPP	2
10	005-2438	Washer copper sealing 1/4"	2
11	003-5652	Hydraulic hose 1/4"x650 mm. w/90 degree fitting	1
12	000-5506	Bolt HH M20-2.50x180 C8.8 Z P	4
13	000-5507	Nut PT M20-2.50 C6 Z TK	4
14	000-1065	Grease fitting M10-1.00 threaded	2
15	003-3176	Bolt HH M10-1.50x25 C8.8 Z F	14
16	003-0156	Nut PT M10-1.50 C6 Z TK	8
17	003-5060	Washer external lock Ø10 Z	6
18	009-0150	Nut HH M10-1.50 C6 Z MD	6
19	003-7368	Bolt HH M14-2.00x120 C8.8 Z P	2
20	000-7224	Nut ES M14-2.00 Z TK	2
21	002-7294	Roll pin Ø6x40 Z	4
	009-9980	Kicker wheel, complete	-



Ref.	Part #	Description	Qty.
1	003-5700	Hitch, kicker wheel	1
2	003-5710	Bracket, kicker wheel	2
3	003-5730	Kicker wheel arm w/hub	1
4	502-950B	Rake wheel complete, left	1
5	005-8765	Hydraulic cylinder	1
6	000-6827	Spacer	2
7	003-5755	Cylinder stop	1
8	009-1507	Hairpin cotter Ø4 Z	1
9	003-5670	Adaptor STR 1/4" MBSPPx3/8" MBSPP	1
10	004-1866	Washer copper sealing 3/8"	1
11	008-2484	Adaptor STR 1/4" MBSPPx1/4" MBSPP	1
12	005-2438	Washer copper sealing 1/4"	1
13	008-2486	Hydraulic hose 1/4"x1300 mm. w/90 degree fitting	1
14	000-1065	Grease fitting M10-1.00 threaded	2
15	003-3176	Bolt HH M10-1.50x25 C8.8 Z F	14
16	003-0156	Nut PT M10-1.50 C6 Z TK	8
17	003-5060	Washer external lock Ø10 Z	6
18	009-0150	Nut HH M10-1.50 C6 Z MD	6
19	000-5506	Bolt HH M20-2.50x180 C8.8 Z P	4
20	000-5507	Nut PT M20-2.50 C6 Z TK	4
21	002-9317	Bolt HH M14-2.00x50 C8.8 Z F	1
22	003-0358	Nut PT M14-2.00 C6 Z TK	1
23	000-6566	Bolt HH M16-2.00x100 C8.8 Z P	1
24	000-8568	Washer flat Ø16 Z	1
25	000-3124	Nut HH M16-2.00 C6 Z MD	1
26	000-5581	Nut PT M16-2.00 C6 Z TK	1
	009-9982	Kicker wheel, complete	-





Ref.	Part #	Description	Qty.
1	950-381B	Decal "BEFCO, Inc." address	1
2	950-417B	Decal "CAUTION - To avoid serious injury"	2
3	950-965B	Decal "HRC"	1
4	950-483B	Decal "08V"	1
	950-484B	Decal "10V"	1
	950-485B	Decal "12V"	1
5	950-106B	Decal "BEFCO"	4
6	950-405B	Decal yellow reflective	3
7	950-366B	Decal red reflective	2
8	950-408B	Decal "WARNING - High pressure hydraulic oil leaks"	3
9	950-226B	Decal "B"	4
10	950-493B	Decal "WARNING - Crushing hazard"	2



## **Use only original spare parts**

*All rights reserved. It is unlawful to copy, reprint or use any of the information or details in this manual without the expressed written permission of the Company. Technical information provided in this manual is approximate, the Company reserves the right to modify or improve the models shown for technical or commercial purposes. Pictures in this manual do not necessarily show the machine as delivered.*

---

**BEFCO**<sup>®</sup>

P.O. Box 6036  
Rocky Mount, NC 27802-6036  
Tel.: 252.977.9920 - Fax: 252.977.9718  
[www.befco.com](http://www.befco.com)

